



UPPER ISLAND SOCCER ASSOCIATION

UIA – QUARTERLY GENERAL MEETING

Saturday January 21, 2017

CVUSC Clubhouse, Courtenay 12:30 PM

MINUTES

Members Present: Kevin Cowie (UI Director), Marc Paris (UI Director), Tony Dickson (CVUSC), Barrie McDonald (PRYSA), Michael Brown (HCFC), Brad Berry (AVYSA), Jeff Howe (CVUSC), Sean Arbour (UI Director), Carl Neibel (UI Director), Jordie Sorenson (CRYSA), Sam White (UI Director), Kevin Smith (GYSA), Brad Nixon (UI Director), Willow Hartig (Mid Isle)

Guests: Christine Carson (UIA Administrator), Bill Merriman (Mid Isle)

Regrets: Suzanne Beauschene, OYSS

Absent: Warren Cudney (UI Director)

Role Call/Additions/Adoption of Agenda:

MOTION: to adopt agenda as amended

Carl/Jeff

CARRIED

Minutes of previous meeting: November 19, 2016

MOTION: to adopt meeting minutes from November 19, 2016

Sam/Carl

CARRIED

Old Business:

- a) **Changeroom access at UIA clubs** request at April GM for all clubs to organize a list/directions for washroom/changeroom access at their fields. Thanks to Comox, Gabriola, Mid Isle, Powell River and HCFC for providing your info. Oceanside, Alberni, and Campbell River are still outstanding.
- b) **Proposed U21 rule change** Pressure from U21 on LISA VIPL teams this year caused loss of 2 VIPL teams, one just 3 days before the season started, disrupting a division and throwing out all the scheduling work done for the season. LISA has responded with a proposal to limit the number of underage U21 players to 2 per team. **Discussion** – UIA tackled this problem in the past and now have better relationship between U21 and VIPL locally. This is also an issue in other districts such as Fraser Valley. **Bill** - Although women's limit underage players to two per team, this number is not enough for U21, which is more of a transition league. **Conclusion:** UIA does not support the proposed rule change, because it may compromise support for player development. Suggest that LISA could benefit from UIA practice which involves both direct communication and respect: VIPL shares rosters of committed players with U21 in June. U21 does not consider players who have already made a commitment to a VIPL team for their rosters, but are welcome to permit those players throughout the season.

- c) **New CSA concussion policy: Discussion** – shall we adopt as part of our return to play policy? Hockey obliges coaches to take an online concussion awareness course, as does Riptide. Can UISA ask this of coaches and officials? – May be challenging for youth officials but good for them to be aware at least. **Best practice recommendations:** all clubs should have concussion information readily available on their websites, and all clubs should require their team officials to complete an online concussion awareness course. **Action:** UISA will create an online database to track coach concussion certification across the district for start of 2017-18. UISA will develop return to play policy to add to League Rules and Regulations for 2017-18
MOTION: to use the CSA concussion guidelines as UISA return to play policy
Barrie/Jeff **CARRIED**

New Business:

- a) **Executive and General Meeting Dates** – Discuss possible dates for spring Tier 3 meeting. **Action:** Christine to survey members for best date possible – busy month!
- b) **Pacific Development Cup** –see Appendix 1 and 2 for preliminary round results
- c) **Island Invitational Draw for U13 Playdowns** – see Appendix 3 and 4. Clubs are asked to volunteer to host either girls or boys. If no volunteers come forward, UISA will draw for hosts at their Feb 6 board meeting.
- d) **VIPL Storm and Riptide update Sean** -Weather has had a huge impact on the season, University recruitment session coming up on Feb 4 for U18 girls **Carl** – also affected by weather and several teams have faced travel instead of a home game due to weather/field issues – kudos to them! Now ready to plan for next year, as LISA have agreed on how to reorganize themselves into district teams moving forward.
- e) **Amended UISA registration manual.** Several questions have come up. Clubs expressed desire to continue with players’ option to play house at one club and Tier 3 at another. Discuss handling player ID numbers for transfer players. Home clubs should supply player ID numbers on the inter-club transfer form. This number will stay with the player throughout their time in youth soccer.
MOTION: to adopt the UISA registration manual as amended and circulated
Mark/Brad **CARRIED**
- f) **Fall registration payment schedule** UISA would like to change the payment schedule for Fall registration from clubs, in order to make it feasible to meet BC soccer final deadline for fall registration payment, which is the same day that the registration data is due in October. It is not possible to process the registration data and collect the payment fast enough to meet the deadline, and BC soccer is getting strict about meeting this date. Other districts do this by collecting 80% of their registration fees up front, while we collect only 50% in time for the initial registration payment due date on **September 15**. **Action:** Clubs to consider this proposal for the next GM and President’s meetings.
- g) **UISA checklist for club charter applications** – see Appendix 5. Clubs applying for charter certification should have everything on the list posted/submitted to UISA/ready for review to speed up the process.
- h) **CRC/VSC follow up at member clubs and district:** Currently no incentives for clubs to complete list of CRCs. Sam White has asked for CRCs but not received the info from all clubs. As it stands there is no consequence to not following up. What should the district be doing to follow up? Should we have consequences – ie team officials must withdraw

from their volunteer job until CRC done, team may not declare for B-Cup if CRC not done, other?? **Jordie** – problem is with house coaches, who are only signed up for an 8-10 week session so hard to follow up. PR is still doing manual checks. **Action:** Kevin/Christine to send on info for online option.

- i) **BCSA Scholarships and awards:** Nominations for scholarships and awards are due in March – the district may submit one nominee per award. Clubs are encouraged to suggest nominees to UISA by March 5, for consideration at the UISA exec meeting. Scholarships have moved to a new application form – please use the new form only. Applications must be submitted through the district. No limit on number of scholarship applications from the district. **Action:** clubs please make your graduating students aware of scholarships.
- j) **BC Provincial Government:** changes to the Societies act now in effect, clubs and the district have a defined period of time to update their constitution and bylaws to be compliant with new Societies act regulations.
- k) **Cup play:** Reminder that once teams commit to Provincial Cup play, they are required to participate until they are eliminated or they compete the Provincial finals. BC soccer has increased fines considerably, and will consider disallowing club participation for the following year.

Registrar's Report: Late registration will be due at the end of the month

Administrator/Scheduler's Report:

Tier 1: 2017 season league play starts soon

Tier II : VIPL badly affected by weather and several divisions have a large number of makeup games to squeeze into the last three weeks of play. Several UISA teams forced or chose to give up home games and travel to Lower Island to play due to weather/field conditions. Always a difficult situation when teams have to take on this extra burden.

Tier III: Also badly affected by weather, and several weekends of game cancellations have occurred.

Discipline: District dealing with several red cards and an incident of spectator interference with a youth player, which has been referred to the club to handle.

Technical: Last TD meeting went well, BC soccer also in attendance. BC Soccer would also like to institute TD-specific meetings– they really like the UISA example. BC soccer moving towards Super8 for U13 across the province.

Club Reports:

- a) **Alberni/West Coast: Brad** –Play has resumed, a VIPL game suspended recently at game time by the ref due to icy conditions. Field now in good playing condition, and more VIPL games scheduled over the next few weeks. Report from city – last years' MWC generated \$575 000.00 of benefit to the city.
- b) **Campbell River/Gold River: Jordie** Gala Feb 4 to raise money for the new clubhouse- \$100 ticket/\$800 per table for dinner and dance. Tickets and more info available on line. Should be a fun evening. Marine Harvest will contribute \$25 toward the cost of any tickets for Riptide families. Corporate donations have been generous as well. Mini World Cup registration is now open! – Information available on the UISA website.

- c) **Comox: Jeff** – not much soccer getting played, no further report.
- d) **Gabriola: Kevin** – GYSA wishing for a turf and clubhouse.....house has resumed.
- e) **Mid-Isle: Willow** - everyone anxious to get back on the pitch. AGM expected in April. 200 club members going to the Canadian Women's game on Feb 4.
- f) **Nanaimo: Michael** –new coach hired to focus on U4-U8– really good fit. Looking at running a group program for these younger kids, rather than teams. Academy is kicking off. Hosting all coaching courses in spring and would like to host C licence. Clubs should contact Joel if they have coaches interested in C license. Asking for another artificial turf field at Beban, to be used primarily for house. Running a free Friday drop in program for U9+ to compensate for large number of cancellations this season.
- g) **Oceanside:** no report
- h) **Powell River: Barrie** – tech sessions running through the winter and fields have now opened.

AOB:

Meeting Adjourned

Future Meeting Dates:

UISA Executive Meeting:

Monday February 6, 2017 – via remote link – 7:00 PM

Monday March 6, 2017 – in person or remote link – 7:00 PM

Monday April 3, 2017 – via remote link – 7:00 PM

Monday May 8 - in person or remote link – 7:00 PM

UISA General Meeting dates:

Saturday January 21, 2017 at CVUSC clubhouse, Courtenay – 12:30 PM

Saturday, May 27, 2017 at Quality Inn Bayside, Parksville - 12:30 PM

UISA Tier 3 Steering Committee meeting dates:

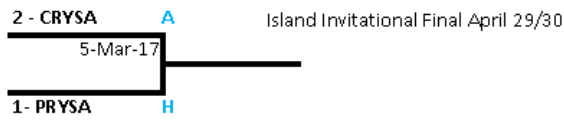
Saturday, January 21, 2017 at CVUSC clubhouse, Courtenay – 11:00 AM

UISA Annual General Meeting date:

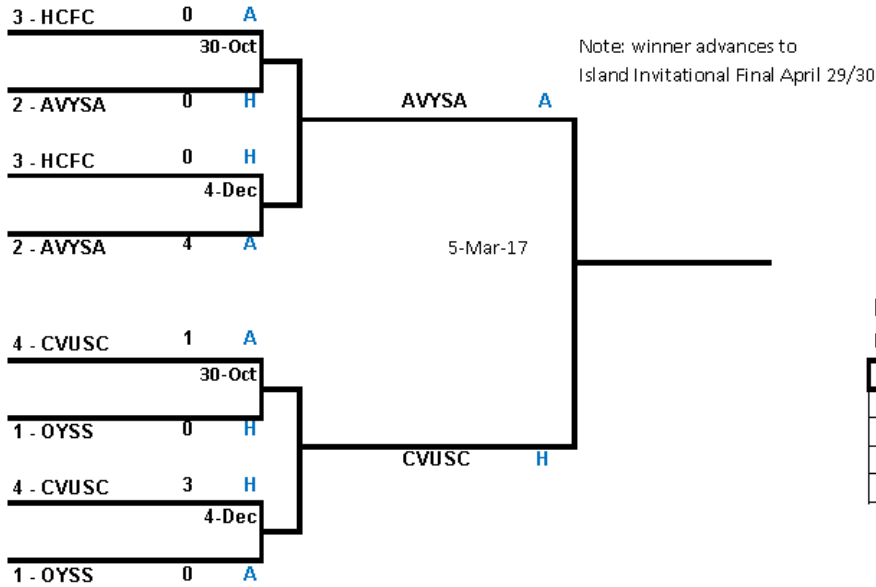
Saturday, May 27, 2017 at Quality Inn Bayside, Parksville - 11:00 AM

Appendix 1: Girls Pacific Development Cup Preliminary round results

U14 Girls



U15 Girls



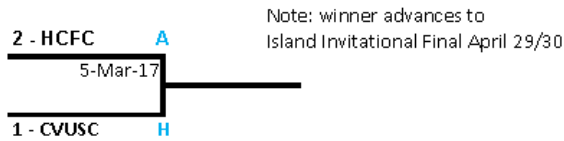
Preliminary round
U15G Points totals

Team	30-Oct	4-Dec	Total
OYSS	0	0	0
AVYSA	1	3	4
HCFC	1	0	1
CVUSC	3	3	6

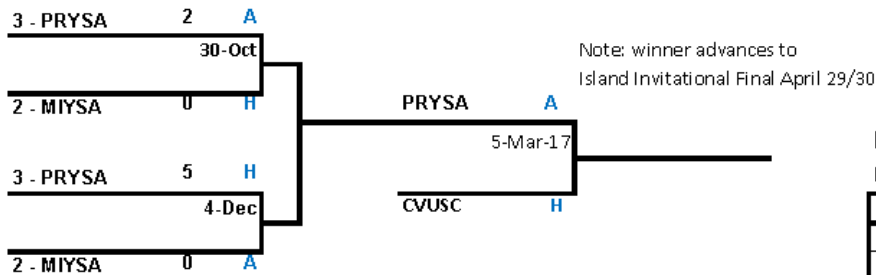
U16 Girls

OYSS Will advance to Island Invitational Final April 29/30

U17 Girls



U18 Girls

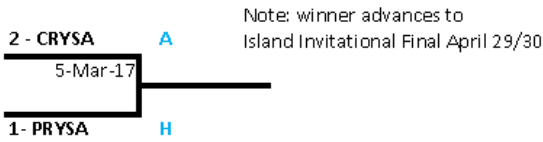


Preliminary round
U18G Points totals

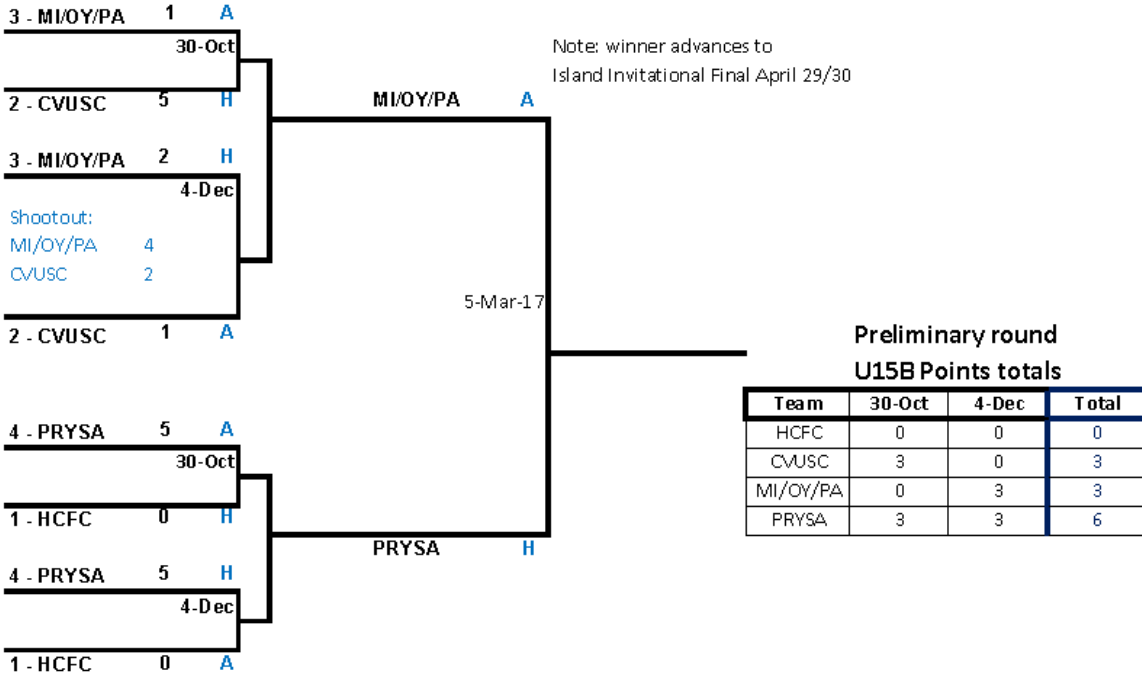
Team	30-Oct	4-Dec	Total
MIYSA	0	0	0
PRYSA	3	3	6

Appendix 2: Boys Pacific Development Cup Preliminary Round results

U14 Boys



U15 Boys



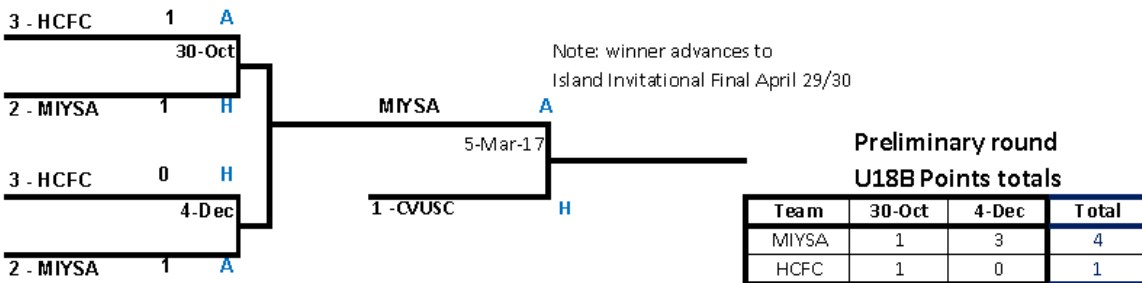
U16 Boys

No UISA team entered for 2016-17

U17 Boys

No UISA team entered for 2016-17

U18 Boys



Appendix 3: U13 Boys Island Invitational draws

Pool A Round Robin

Day 1

Game 1

1 - CV Red Socks (Fisher)



2- HC Brown

Game 2

2- HC Brown



3- PR Energy (Leach)

Game 3

1 - CV Red Socks (Fisher)



3- PR Energy (Leach)

Pool B Round Robin

Game 1

1- CV Inferno (Kuzyk)



2- CR Lindstrom

Game 2

2 - CR Lindstrom



3- HC Paris

Game 3

1- CV Inferno (Kuzyk)



3- HC Paris

Day 2

Interpool Playdown

Interpool Game 1

1A-



2B-

Interpool Game 2

1B



2A-

Final

Interpool1 winner -



Interpool 2 winner-

Teams Participating:

CRYSA Lindstorm
 CVUSC Fisher
 CVUSC Kuzyk
 HCFC Brown
 HCFC Paris
 PRYSA Leach

Appendix 4: U13 Girls Island Invitational Draws

Round Robin

Day 1

Game 1

1 - CV Red (Vachon)



2 - HC Butler

Teams Participating:

HCFC Butler

CVUSC Vachon

CVUSC MacDonald

HCFC Dunn

Game 2

3 - HC Dunn



4 - CV Caps (Stewart)

Game 3

2 - HC Butler



4 - CV Caps (Stewart)

Game 4

1 - CV Red (Vachon)



3 - HC Dunn

Round Robin

Day 2

Game 5

2 - HC Butler



3 - HC Dunn

Game 6

1 - CV Red (Vachon)



4 - CV Caps (Stewart)